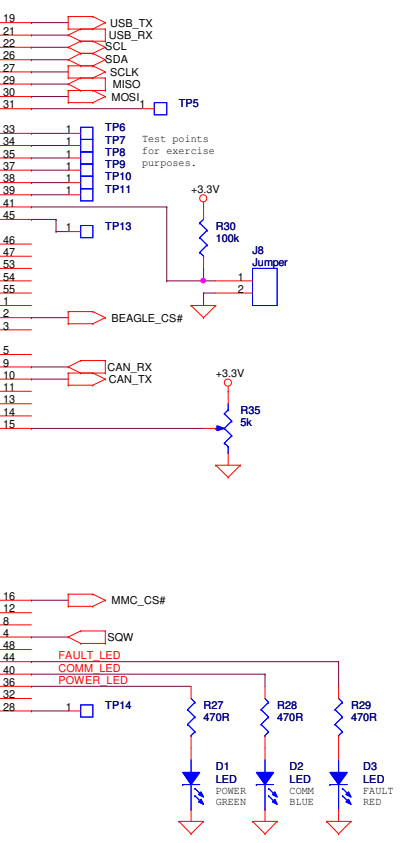
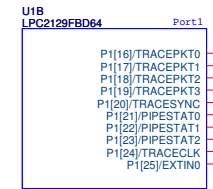
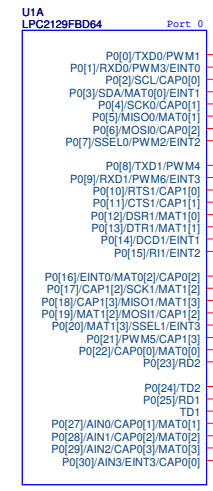
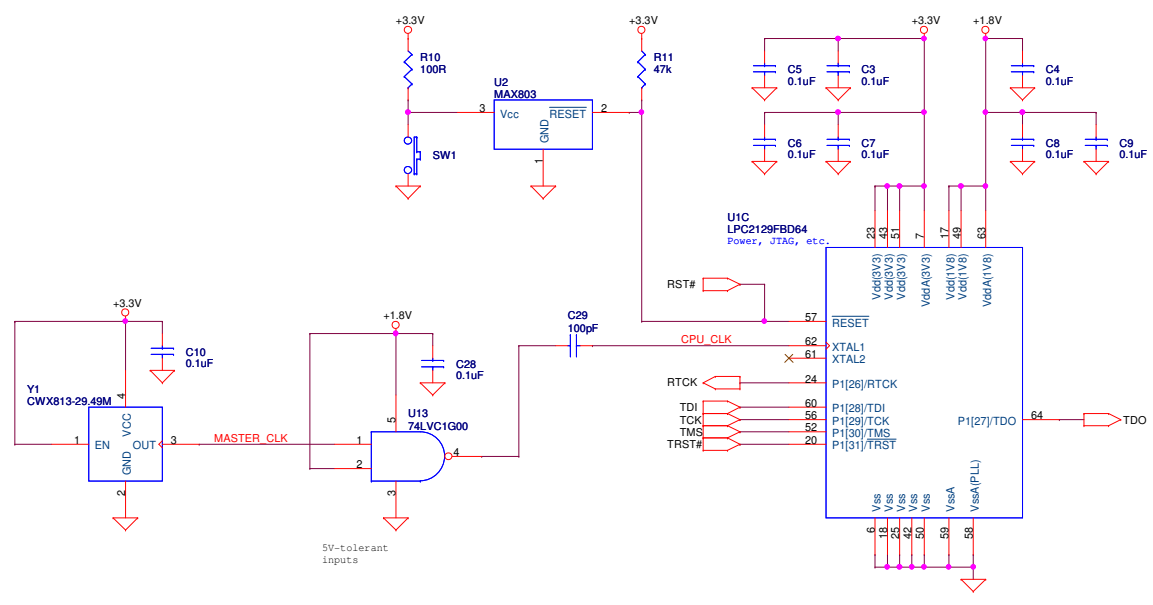
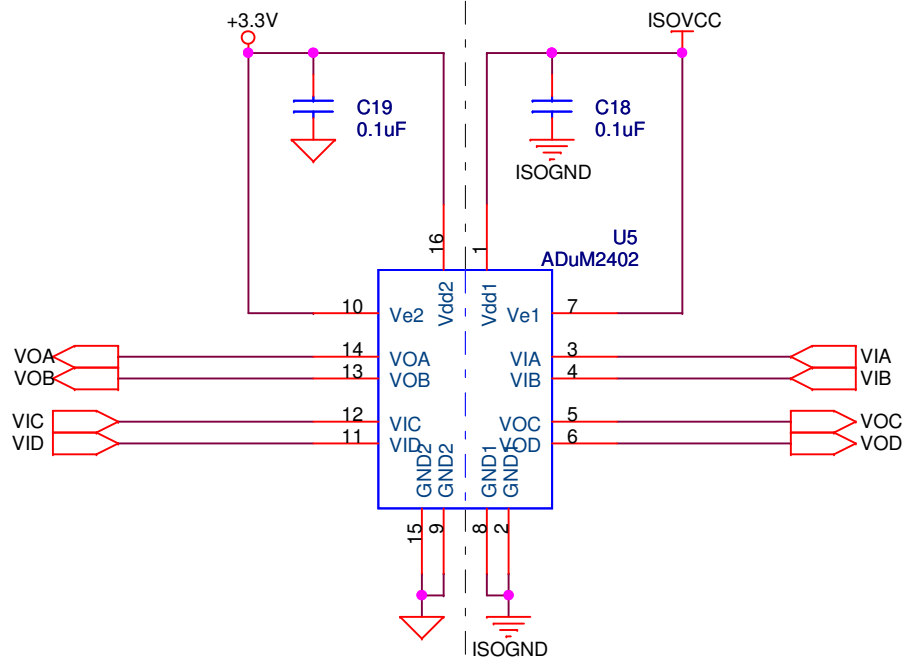


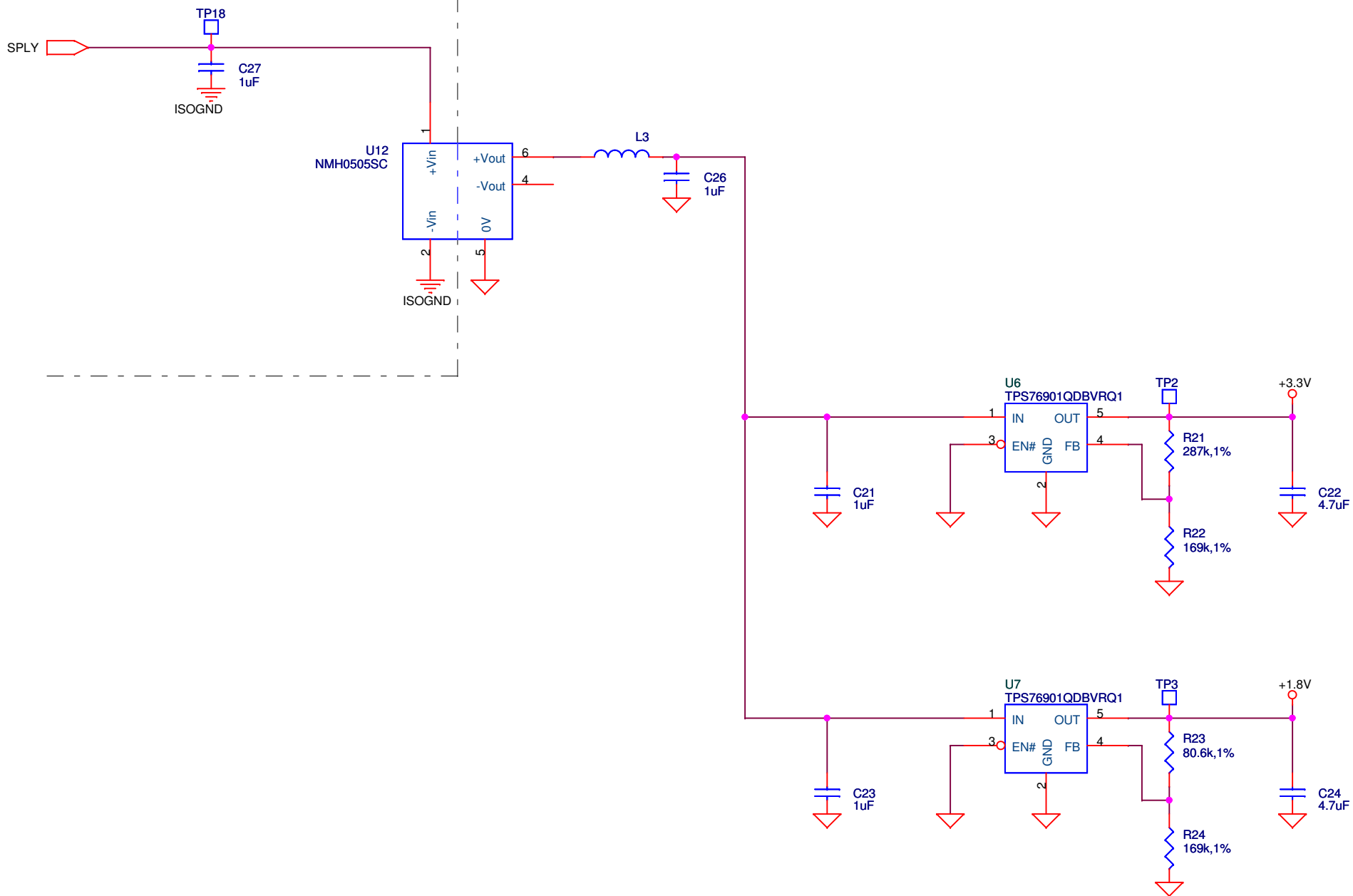
Title		
SCHEMATIC: LPC2129-based CAN bus logger. Sheet1: Top block diagram.		
Size	Document Number	Rev
Custom<Doc>		0.2
Date:	Wednesday, November 05, 2008	Sheet 1 of 7



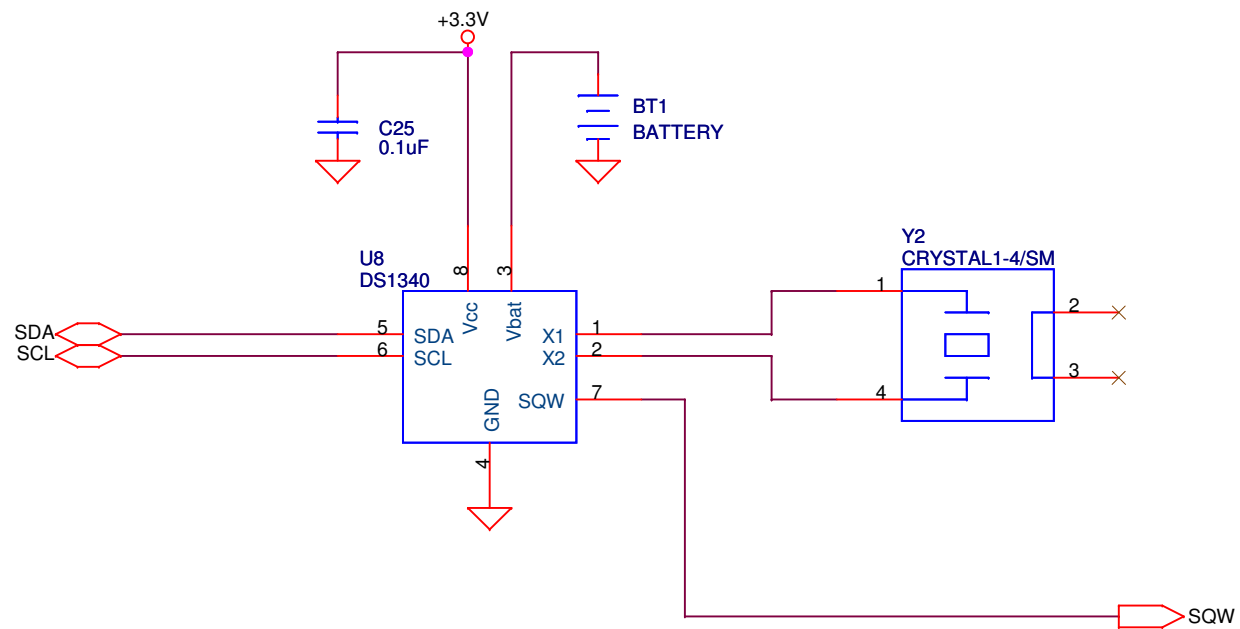
Title			<Title>
Size	Document Number		Rev
	Custom-Doc		0.2
Date:	Tuesday, November 18, 2008	Sheet	2 of 7



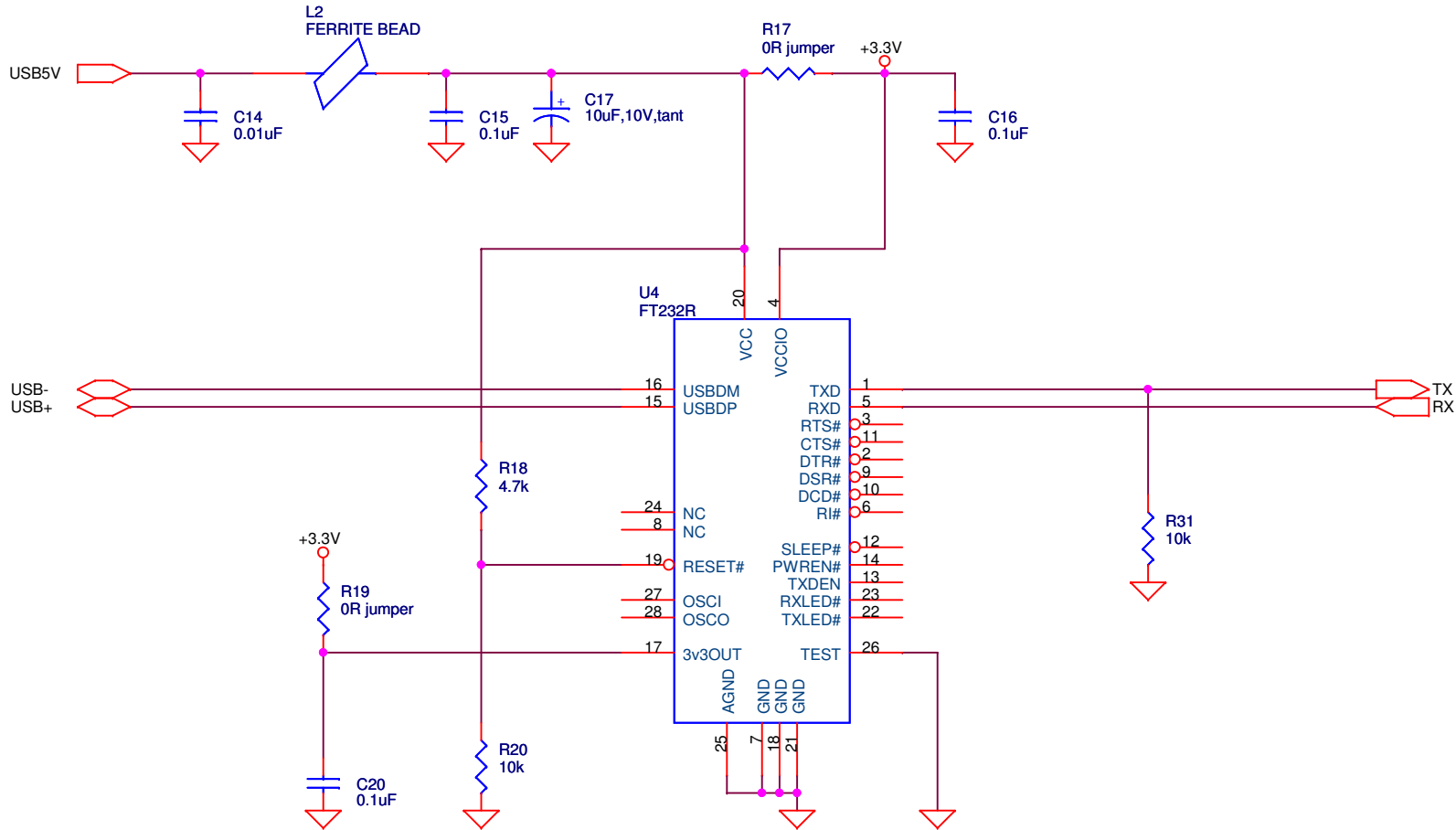
Title		
<Title>		
Size	Document Number	Rev
A	<Doc>	<Rev Co
Date:	Tuesday, May 06, 2008	Sheet 4 of 7



Title		
<Title>		
Size	Document Number	Rev
Custom	<Doc>	0.2
Date:	Wednesday, November 05, 2008	Sheet 5 of 7



Title		
<Title>		
Size	Document Number	Rev
A	<Doc>	<Rev Co
Date:	Thursday, August 28, 2008	Sheet 6 of 7



Title		
<Title>		
Size	Document Number	Rev
Custom	<Doc>	<RevC>
Date:	Tuesday, May 06, 2008	Sheet 7 of 7